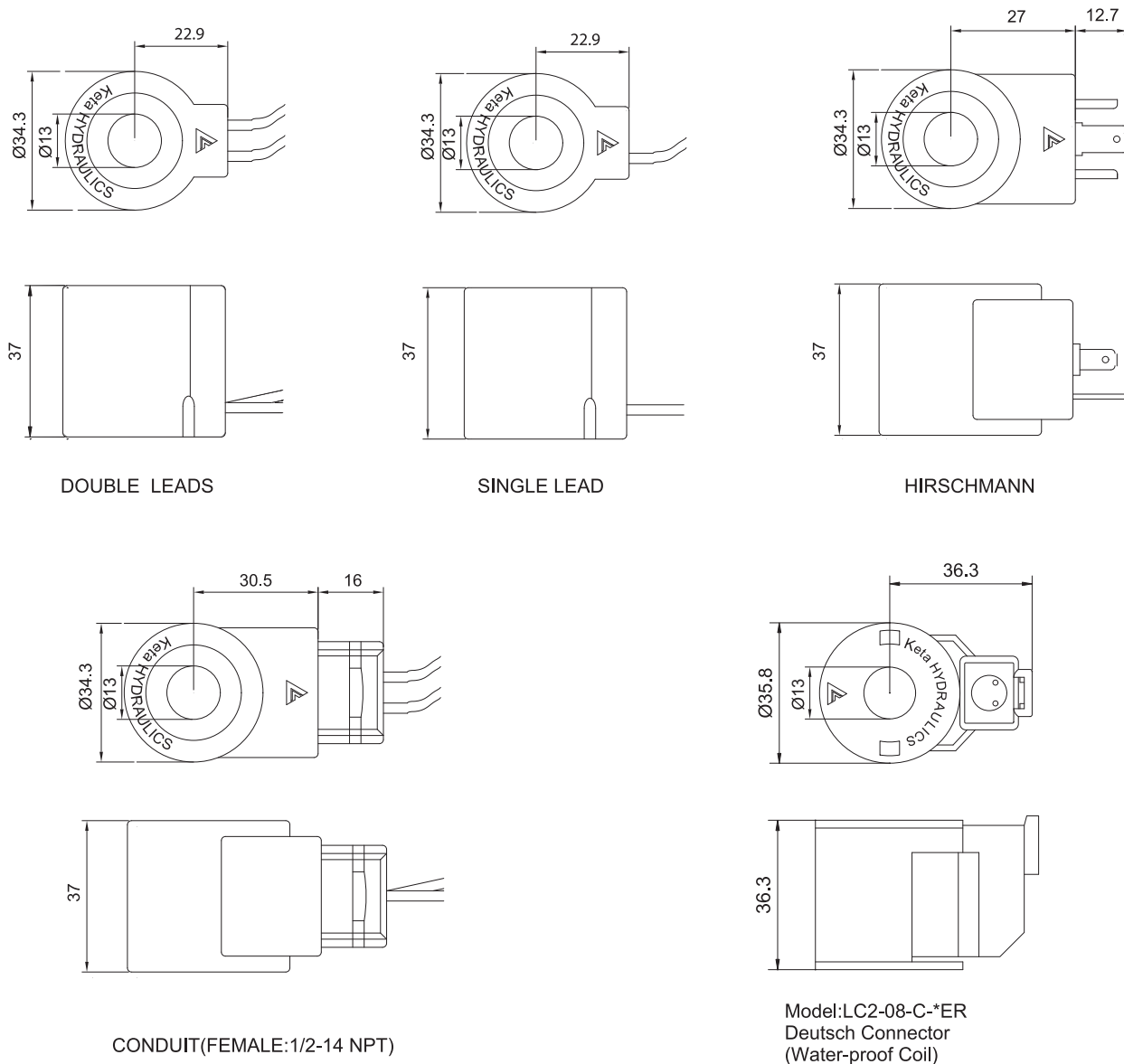


### 线圈数据 SOLENOID COIL DATA 08 series

Coil Must Be Installed With Letter Up  
安装线圈时，字母必须朝上。

Unit=Millimeters



### 订货代号 TO ORDER

**LC2 - 08 - C - \* \***

1 2 3 4 5

|  |   |   |
|--|---|---|
| <b>1 功能</b><br>LC2= 电磁线圈 Solenoid Coil | <b>4 电压 Voltage</b><br>1=12 VDC RED LEAD 红线<br>2=24 VDC BLUE LEAD 蓝线<br>3=110VAC BLACK LEAD 黑线<br>4=220VAC YELLOW LEAD 黄线<br>5=10 VDC GRAY LEAD 灰线<br>7=48 VDC ORANGE LEAD 橙线<br>8=24 VAC BROWN LEAD 棕线 | <b>5 线圈连接 Coil Connection</b><br>D= Double Lead 双线<br>S= Single Lead 单线<br>H= Hirschmann 三插<br>C= Conduit 带嵌套<br>ER= Deutsch Connector(Water-proof Coil)<br>德意志插座(防水线圈) IP69K<br>B= Double Spade 双插 |
| <b>2 规格 Size</b><br>08=08 规格           |   |   |
| <b>3 形状 Shape</b><br>C= 圆形 Cylindrical |   |   |